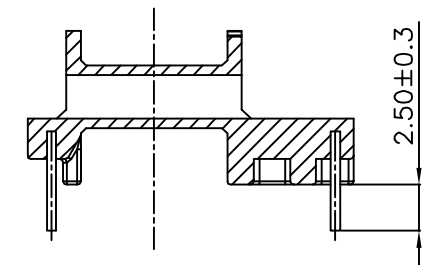
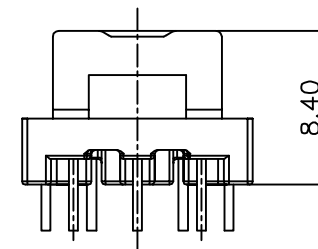
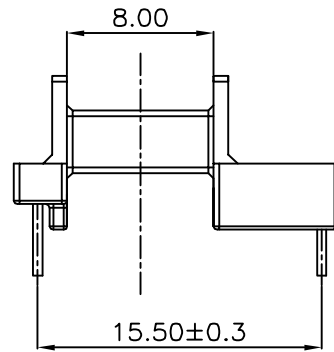
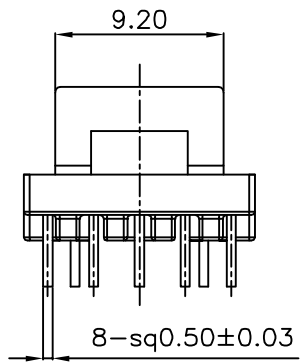
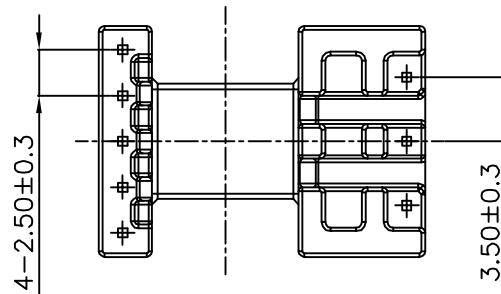


SECTION B-B



SECTION A-A



▲							
▲							
▲							
▲							
MARK	REVISION NOTE			DATE	DRAWN	CHECKED	APPROVED
DRAWN	CHECKED	APPROVED	MATERIAL : PHENOL	UL REC. : UL94V-0	THIRD ANGLE PROJ.	SCALE : 1/1	
KM, Seo	SH, Kim	C, Park	Z : PIN LENGTH (According to customer's request)	DATE : 2013.03.18	TOLERANCE :±0.2 (Unless otherwise specified)	UNIT : m/m	
주식회사 대흥보빈 DAE HEUNG BOBBIN CO., LTD			TITLE EM 12.6 "H" (8P)		DWG NO DH-N130320-8645-00		